

Optronis

Make time visible

CamRecord-CR Series
CR600x2



HIGH-SPEED VIDEO CAMERA

**Compact and light sensitive
High-Speed camera**

- > **up to 100.000 fps**
- > **Very compact housing**
- > **Very high light sensitivity**
- > **Resolution up to 1280 x 1024 pixel**
- > **Gigabit Ethernet Interface**
- > **Monochrome or color sensor**
- > **8 or 16 GigaByte internal ring memory**
- > **User friendly TimeViewer analysis software**

www.optronis.com

HIGH-SPEED VIDEO CAMERA

Performance (Examples)

	Resolution (hor. x ver.)	Framerate (maximum)	Recording Time (16GB, max. Framerate, 8bit)
S-XGA	1280 x 1024	502 fps	25,7 sec.
HD720p	1280 x 720	712 fps	25,8 sec.
S-VGA	800 x 600	1.275 fps	27,5 sec.
PAL-D	768 x 576	1.397 fps	27,7 sec.
VGA	640 x 480	1.865 fps	28,5 sec.
QVGA	320 x 240	6.094 fps	34,9 sec.
QQVGA	160 x 120	15.808 fps	47,0 sec.
fastest	8 x 8	91.445 fps	419,2 sec.

Model

CR600x2	High-Speed Video Camera
---------	-------------------------

Options

/M or /C	Monochrome or color sensor
/8GB or /16GB	Memory size in Giga Byte
/FM , /CM ,	Nikon F-Mount , C-Mount
/FMG	Nikon FG-Mount (Aperture ring is controlled manually at mount)
/EM	Canon EF/EFS-Mount (Aperture and focus are controlled by software)
/BI	Internal Battery (Accu-Pack)

Optional Accessories

- LabView driver (Part number: CR-LabView)
- Software development kit (Part number: CR-SDK)
- Lenses, lights, trigger switches and more accessories on request.

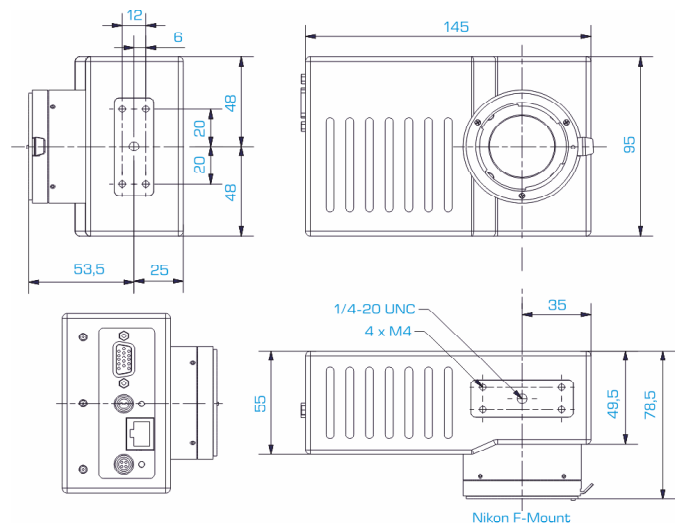
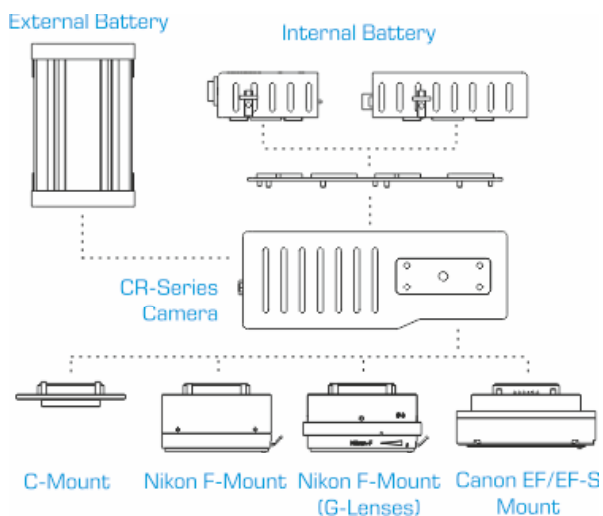
Connector Pin Assignment

4-pin LEMO FGG0B304CLAD52Z

Pin 1	Sync IN	Pin 3	GND
Pin 2	Trig IN	Pin 4	Sync OUT

Specifications

Resolution	1280 x 1024 pixel
Frame Rate @ max. Resolution	500 fps
Image Sensor	Progressive Scan CMOS
Exposure Time	1 μ s - 1/Framerate
Active Area	17,92 mm x 14,34 mm
Sensor Diagonal Dimension	22,95 mm
Pixel Size	14 μ m
A/D Conversion	8 bit or 10 bit
Dynamic	60 dB (90 dB optical)
Sensitivity	25 V/lux*s (monochrome)
Shutter	global electronic, >1 μ s exposure time
Trigger Signal	TTL, switch, open collector, rising or falling edge, on image content variation (ROI)
Synchronization	internal, external
Interface	Gigabit Ethernet
Video Output	VGA
Power	12 VDC / 12 W
Lens Mount	Nikon F-Mount (optional: C-, FG- or EF/EFS-Mount)
Weight	1050 g
Operating Temperature	0 .. 40°C
Humidity	< 80 % relative, non-condensed
Dimensions	145 mm x 95 mm x 78,5 mm
Conformity	CE, RoHS
Scope of delivery	Camera CR600x2, 5m Gig-E cabel, power supply, Quick start guide, manual on CD, transport case and TimeViewer Software for Windows.



The information given herein is believed to be reliable, however Optronis makes no warranties as to its accuracy or completeness. Data sheet is subject to modifications at any time. 08/2018